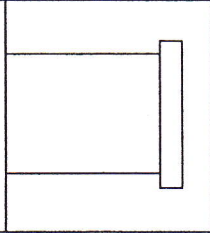




PACIFIC COAST BOLT CORPORATION

866.DIP.PPIPE

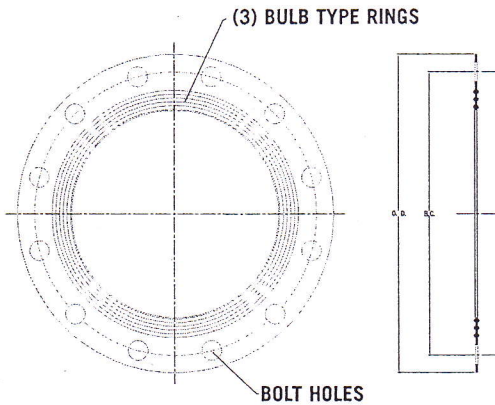


FULL FACE FLANGE-TYTE® Gasket



2009 EDITION

www.uspipe.com



NOTE: U.S. Pipe recommends the use of **FULL FACE FLANGE-TYTE®** Gaskets or **RING FLANGE-TYTE®** Gaskets with Ductile Iron flanged joint products supplied by U.S. Pipe. These gaskets were designed specifically for the unique surface of Ductile Iron. Flat rubber gaskets are **NOT** considered equal in performance and may not provide the sealing capability the project requires. In addition, their use could result in unintended damage to the flanges and threads of the fabricated pipe by applying excess torque to the bolts/flanges in order to seal the joint.

Table 1. FULL FACE FLANGE-TYTE® Technical Data

Size Inches	BC Inches	OD Inches	Bulb-type rings each side	No. of Bolt Holes	Working Pressure psi		
					150	250	350
					Bolt Torque ft-lb		
4	7.50	9.00	3	8	-	90	110
6	9.50	11.00	3	8	-	90	110
8	11.75	13.50	3	8	-	90	110
10	14.25	16.00	3	12	-	90	130
12	17.00	19.00	3	12	-	90	130
14	18.75	21.00	3	12	-	110	150
16	21.25	23.50	3	16	-	110	160
18	22.75	25.00	3	16	-	120	180
20	25.00	27.50	3	20	-	120	200
24	29.50	32.00	3	20	-	130	220
30	36.00	38.75	3	28	-	140	-
36	42.75	46.00	3	32	-	160	-
42	49.50	53.00	3	36	-	585	-
48	56.00	59.50	3	44	-	625	-
54	62.75	66.25	3	44	550	-	-
60	69.25	73.00	3	52	600	-	-
64	76.00	80.00	3	52	600	-	-

NOTE:

Gasket Thickness: All FULL FACE FLANGE-TYTE Gaskets are 1/8" thickness. Thinner gaskets are NOT recommended for use with Ductile Iron flanges.

Material: Unless otherwise specified by the purchaser, gaskets will be furnished as SBR. Special elastomers such as neoprene, nitrile, EPDM, and fluorocarbon are available upon request. Gaskets made with special elastomers are marked with color dots. Neoprene is yellow, EPDM is orange, Nitrile is green, Fluorocarbon is red.

Assembly: See Page 4 of the FULL FACE FLANGE-TYTE Brochure for guidance.

Compatibility: The FULL FACE FLANGE-TYTE Gasket is compatible with flanges conforming to ANSI/AWWA C115/A21.15, ANSI/AWWA C110/A21.10, ASME B16.1 class 125, and ANSI/AWWA C207 class B, D, and E flanges.

(800) 652-6587

12748 East Florence Ave. Santa Fe Springs, CA 90670 • Tel: (562) 944-9549 • Fax: (562) 944-9360
Visit our website at www.pacificcoastbolt.com